

Prepared for:
CHRIS VERNON
HAULIN ASSETS LLC
SALT LAKE CITY, UT 84120

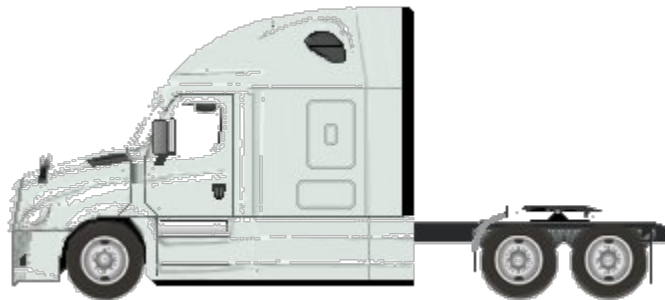
Prepared by:
FREIGHTLINER OF UTAH

A proposal for
HAULIN ASSETS LLC

Prepared by
FREIGHTLINER OF UTAH

Aug 25, 2022

Freightliner CA126SLP



Components shown may not reflect all spec'd options and are not to scale

S P E C I F I C A T I O N P R O P O S A L

Data Code	Description
Price Level	
PRL-27K	CASCADIA PRL-27K (EFF:MY24 ORDERS)
Data Version	
DRL-008	SPECPRO21 DATA RELEASE VER 008
Vehicle Configuration	
001-234	CASCADIA 126 INCH SLEEPER CAB
004-224	2024 MODEL YEAR SPECIFIED
002-002	SET BACK AXLE - TRACTOR
003-001	LH PRIMARY STEERING LOCATION
General Service	
AA1-001	TRACTOR/TRAILER CONFIGURATION
AA6-001	DOMICILED, USA 50 STATES (INCLUDING CALIFORNIA AND CARB OPT-IN STATES)
A85-005	LINEHAUL/LONG HAUL SERVICE
A84-1GF	GENERAL FREIGHT BUSINESS SEGMENT
AA4-001	GENERAL FREIGHT COMMODITY
AA5-002	TERRAIN/DUTY: 100% (ALL) OF THE TIME, IN TRANSIT, IS SPENT ON PAVED ROADS
AB1-008	MAXIMUM 8% EXPECTED GRADE
AB5-001	SMOOTH CONCRETE OR ASPHALT PAVEMENT - MOST SEVERE IN-TRANSIT (BETWEEN SITES) ROAD SURFACE
995-1AD	FREIGHTLINER LEVEL I WARRANTY
A66-99D	EXPECTED FRONT AXLE(S) LOAD : 12000.0 lbs
A68-99D	EXPECTED REAR DRIVE AXLE(S) LOAD : 34000.0 lbs
A63-99D	EXPECTED GROSS VEHICLE WEIGHT CAPACITY : 46000.0 lbs
A70-99D	EXPECTED GROSS COMBINATION WEIGHT : 80000.0 lbs
Truck Service	



Data Code	Description
AF3-2CR	TRACTOR ONLY WITH NO BODY UPFIT
Tractor Service	
AA2-002	FRONT EXTERNAL REEFER VAN TRAILER
AH6-001	SINGLE (1) TRAILER
Engine	
101-28M	DD15 GEN 5 HIGH POWER 14.8L 505 HP @ 1625 RPM, 1900 GOV RPM, 1650 LB-FT @ 975 RPM
Electronic Parameters	
79A-075	75 MPH ROAD SPEED LIMIT
79B-023	CRUISE CONTROL SPEED LIMIT 5 MPH LOWER THAN ROAD SPEED LIMIT, WITH AUTO RESUME AFTER SHIFT
79D-050	1650 RPM LIMIT FOR LOW GEARS, 1650 RPM LIMIT FOR MIDDLE GEARS, 1650 RPM LIMIT FOR HIGH GEARS
79F-013	FLEET MANAGEMENT - DAILY ENGINE USAGE ENABLED
79G-010	20 MINUTES IDLE SHUTDOWN WITH CLUTCH AND SERVICE BRAKE OVERRIDE
80C-012	ENGINE BRAKE WITH GLOBAL CRUISE CONTROL ENABLED
80P-998	NO FLEET SPEC FOR PARAMETERIZATION
80K-001	TEMPERATURE OVERRIDE BELOW 20 DEGREES AND ABOVE 70 DEGREES AMBIENT TEMPERATURE
80L-001	ENABLE AUTO ENGINE RPM ELEVATE FOR EXTENDED IDLE
80W-001	MAINTENANCE SYSTEM WITH NO POP-UPS AND NO MENU IN CLUSTER
Engine Equipment	
99C-021	2010 EPA/CARB/GHG21 CONFIGURATION
99D-011	2008 CARB EMISSION CERTIFICATION - CLEAN IDLE (INCLUDES 6X4 INCH LABEL ON LOWER FORWARD CORNER OF DRIVER DOOR)
13E-001	STANDARD OIL PAN
105-001	ENGINE MOUNTED OIL CHECK AND FILL
104-016	FLOCS OIL EVACUATION FITTING WITH AEROQUIP FD14 FITTING AND DIRECT ACCESS
014-1CT	DUAL SIDE OF HOOD AIR INTAKE WITH ENGINE MOUNTED AIR CLEANER



Data Code	Description
124-1DJ	DR 12V 160 AMP 36-SI BRUSHLESS QUADRAMOUNT PAD ALTERNATOR WITH REMOTE BATTERY VOLT SENSE
292-214	(4) DTNA GENUINE, FLOODED STARTING AND CYCLING, MIN 2800CCA, 760RC, THREADED STUD BATTERIES
290-1D3	STEEL BATTERY BOX WITH ENCLOSED TRAY
282-001	SINGLE BATTERY BOX FRAME MOUNTED LH SIDE UNDER CAB
291-017	WIRE GROUND RETURN FOR BATTERY CABLES WITH ADDITIONAL FRAME GROUND RETURN
289-006	PLASTIC BATTERY BOX COVER
293-060	POSITIVE LOAD DISCONNECT WITH CAB MOUNTED CONTROL SWITCH WITH LOCKING PROVISION MOUNTED OUTBOARD DRIVER SEAT
295-029	POSITIVE AND NEGATIVE POSTS FOR JUMPSTART LOCATED ON FRAME NEXT TO STARTER
306-015	PROGRESSIVE LOW VOLTAGE DISCONNECT AT 12.3 VOLTS FOR DESIGNATED CIRCUITS
180-1AP	DETROIT HEAVY DUTY AUTOMATED MANUAL TRANSMISSION CLUTCH
107-046	BW MODEL FE-921 19.0 CFM SINGLE CYLINDER AIR COMPRESSOR WITH SAFETY VALVE
108-002	STANDARD MECHANICAL AIR COMPRESSOR GOVERNOR
131-013	AIR COMPRESSOR DISCHARGE LINE
152-041	ELECTRONIC ENGINE INTEGRAL SHUTDOWN PROTECTION SYSTEM
128-002	JACOBS COMPRESSION BRAKE
016-1C3	RH OUTBOARD UNDER STEP MOUNTED HORIZONTAL AFTERTREATMENT SYSTEM ASSEMBLY WITH RH HORIZONTAL TAILPIPE
28F-014	ENGINE AFTERTREATMENT DEVICE, AUTOMATIC OVER THE ROAD REGENERATION AND VIRTUAL REGENERATION REQUEST SWITCH IN CLUSTER
239-001	STANDARD EXHAUST SYSTEM LENGTH
237-052	RH STANDARD HORIZONTAL TAILPIPE
23U-003	23 GALLON DIESEL EXHAUST FLUID TANK
30N-003	100 PERCENT DIESEL EXHAUST FLUID FILL
43X-001	LH HEAVY DUTY STANDARD DIESEL EXHAUST FLUID TANK LOCATION
43Y-004	STANDARD DEF TANK CAP BEHIND KICKPLATE



Data Code	Description
273-058	AIR POWERED ON/OFF ENGINE FAN CLUTCH
276-001	AUTOMATIC FAN CONTROL WITHOUT DASH SWITCH, NON ENGINE MOUNTED
110-068	DDC SUPPLIED ENGINE MOUNTED FUEL FILTER/FUEL WATER SEPARATOR WITH WATER-IN-FUEL INDICATOR
118-001	FULL FLOW OIL FILTER
266-1C1	1400 SQUARE INCH FUEL ECONOMY RADIATOR
103-039	ANTIFREEZE TO -34F, OAT (NITRITE AND SILICATE FREE) EXTENDED LIFE COOLANT
171-007	GATES BLUE STRIPE COOLANT HOSES OR EQUIVALENT
172-001	CONSTANT TENSION HOSE CLAMPS FOR COOLANT HOSES
261-001	STANDARD CHARGE AIR COOLER PLUMBING
269-001	STANDARD RADIATOR MOUNTING
270-019	HDEP VARIABLE SPEED COOLANT PUMP AND RADIATOR DRAIN VALVE
168-002	LOWER RADIATOR GUARD
138-005	PHILLIPS-TEMRO 1500 WATT/115 VOLT BLOCK HEATER
140-053	BLACK PLASTIC ENGINE HEATER RECEPTACLE MOUNTED UNDER LH DOOR
134-001	ALUMINUM FLYWHEEL HOUSING
155-075	MITSUBISHI 12V MOD 3.175-DP60 STARTER WITH INTEGRATED MAGNETIC SWITCH

Transmission

342-2AV	DT12-1650-OH ON-HIGHWAY 12-SPEED OVERDRIVE AUTOMATED MANUAL TRANSMISSION
---------	--

Transmission Equipment

343-2BK	DT12 PERFORMANCE PACKAGE: ECONOMY AND PERFORMANCE, WITH ICU CONTROL MENUS, WITH KICKDOWN
84D-007	12 FORWARD GEARS SELECTABLE DT12 MANUAL MODE
85J-004	REVERSE GEAR RANGE LIMITED TO 2ND GEAR
347-002	ALUMINUM CLUTCH HOUSING
341-017	MAGNETIC PLUGS, ENGINE DRAIN, TRANSMISSION FILL AND DRAIN, AXLE(S) FILL AND DRAIN
345-078	HEAVY DUTY ELECTRONIC TRANSMISSION SHIFT CONTROL, COLUMN MOUNTED

Data Code	Description
370-002	AIR TO OIL TRANSMISSION COOLER
35T-003	SYNTHETIC TRANSMISSION LUBE

Front Axle and Equipment

400-1G1	DETROIT DA-F-12.5-3 12,500# FF1 71.5 KPI/3.74 DROP SINGLE FRONT AXLE
402-075	BENDIX ADB22X AIR DISC FRONT BRAKES
403-043	2011/2013-FMVSS 121 RSD FRONT BRAKE LINING
419-004	FRONT DISC BRAKE ROTORS
409-006	FRONT OIL SEALS
408-001	VENTED FRONT HUB CAPS WITH WINDOW, CENTER AND SIDE PLUGS - OIL
416-022	STANDARD SPINDLE NUTS FOR ALL AXLES
405-030	FRONT AIR DISC BRAKE INTERNAL ADJUSTERS
536-050	TRW THP-60 POWER STEERING
539-003	POWER STEERING PUMP
534-015	2 QUART SEE THROUGH POWER STEERING RESERVOIR
40T-002	CURRENT AVAILABLE SYNTHETIC 75W-90 FRONT AXLE LUBE

Front Suspension

620-1F3	12,500# TAPERLEAF FRONT SUSPENSION
619-005	MAINTENANCE FREE RUBBER BUSHINGS - FRONT SUSPENSION
410-001	FRONT SHOCK ABSORBERS

Rear Axle and Equipment

420-1T8	DETROIT DA-RT-40.0-4S HH 40,000# R-SERIES TANDEM REAR AXLE
421-308	3.08 REAR AXLE RATIO
424-001	IRON REAR AXLE CARRIER WITH STANDARD AXLE HOUSING
386-067	RPL25SD MERITOR MAIN DRIVELINE
388-039	RPL20 MERITOR INTERAXLE DRIVELINE
878-019	(1) INTERAXLE LOCK VALVE FOR TANDEM OR TRIDEM DRIVE AXLES
87A-012	INDICATOR LIGHT FOR EACH INTERAXLE LOCKOUT SWITCH WITH IAD FEEDBACK
423-075	BENDIX ADB22X AIR DISC REAR BRAKES
433-043	2011/2013-FMVSS 121 RSD REAR BRAKE LININGS

Data Code	Description
434-003	STANDARD BRAKE CHAMBER LOCATION
451-005	REAR DISC BRAKE ROTORS
440-006	REAR OIL SEALS
426-094	AIR DISC LONGSTROKE 2-DRIVE AXLES SPRING PARKING CHAMBERS
428-030	REAR AIR DISC BRAKE INTERNAL ADJUSTERS
41T-006	FE 75W-85 REAR AXLE LUBE
42T-001	STANDARD REAR AXLE BREATHER(S)

Rear Suspension

622-292	AIRLINER 40,000# FUEL EFFICIENT REAR SUSPENSION
621-106	6.9 INCH NOMINAL RIDE HEIGHT (390MM GLOBAL REFERENCE HEIGHT)
431-001	STANDARD AXLE SEATS IN AXLE CLAMP GROUP
624-016	51 INCH AXLE SPACING
888-048	MANUAL DUMP VALVE FOR AIR SUSPENSION WITH GAUGE
87D-007	INDICATOR LIGHT AND BUZZER FOR EACH REAR SUSPENSION CONTROL SWITCH
910-001	SINGLE AIR REAR SUSPENSION LEVELING VALVE
623-002	TRANSVERSE CONTROL RODS
439-005	REAR SHOCK ABSORBERS - TWO AXLES (TANDEM) (AIR RIDE SUSPENSION)

Brake System

490-1AT	WABCO 4S/4M ABS WITH HILL START AID AND TRACTION CONTROL WITH ATC SHUT OFF SWITCH
871-001	REINFORCED NYLON, FABRIC BRAID AND WIRE BRAID CHASSIS AIR LINES
904-001	FIBER BRAID PARKING BRAKE HOSE
412-001	STANDARD BRAKE SYSTEM VALVES
413-002	STD U.S. FRONT BRAKE VALVE
432-003	RELAY VALVE WITH 5-8 PSI CRACK PRESSURE, NO REAR PROPORTIONING VALVE
480-088	WABCO SYSTEM SAVER HP WITH INTEGRAL AIR GOVERNOR AND HEATER
483-004	WABCO OIL COALESCING FILTER FOR AIR DRYER
479-015	AIR DRYER FRAME MOUNTED

Data Code	Description
460-001	STEEL AIR BRAKE RESERVOIRS
2TD-001	(1) 620 CUBIC INCH ALUMINUM TRANSMISSION AIR TANK, INLET CHECK VALVE
607-018	CLEAR FRAME RAIL FROM BACK OF CAB TO FRONT REAR SUSPENSION BRACKET, RH RAIL INSIDE/OUTBOARD AND BELOW
477-004	PULL CABLES ON ALL AIR RESERVOIR(S)

Trailer Connections

481-072	12 FOOT COILED TRAILER AIR HOSE WITH 48 INCH TRACTOR, 12 INCH TRAILER LEADS
476-002	36 INCH STAINLESS STEEL SLIDE BAR WITH SPRING TYPE AIR HOSE HANGER
484-032	COMBINATION DUMMY GLAD HANDS AND LIGHT PLUG HOLDER MOUNTED LH BACK OF CAB WITH GROUND ACCESS
296-010	PRIMARY CONNECTOR/RECEPTACLE WIRED FOR SEPARATE STOP/TURN, ABS CENTER PIN POWERED THROUGH IGNITION
297-027	SAE J560 7-WAY PRIMARY TRAILER CABLE RECEPTACLE MOUNTED LOWER LH BACK OF CAB
310-082	12 FOOT DETACHABLE COILED PRIMARY TRAILER ELECTRICAL CABLE WITH SAE J560 CONNECTOR WITH 48 INCH TRACTOR, 12 INCH TRAILER LEADS

Wheelbase & Frame

545-582	5825MM (229 INCH) WHEELBASE
546-1B9	7.0MM X 88.0MM X 279.0MM STEEL FRAME (0.28X3.46X10.98 INCH) 120 KSI
552-027	1500MM (59 INCH) REAR FRAME OVERHANG
55W-005	FRAME OVERHANG RANGE: 51 INCH TO 60 INCH
AC8-99D	CALC'D BACK OF CAB TO REAR SUSP C/L (CA) : 91.34 in
AE8-99D	CALCULATED EFFECTIVE BACK OF CAB TO REAR SUSPENSION C/L (CA) : 80.35 in
AE4-99D	CALC'D FRAME LENGTH - OVERALL : 320.91 in
FSS-0LH	CALCULATED FRAME SPACE LH SIDE : 20.93 in
FSS-0RH	CALCULATED FRAME SPACE RH SIDE : 36.89 in
560-008	UNDER OR OVERSLUNG CROSSMEMBER
553-002	FLANGED TAPERED END OF FRAME
550-001	FRONT CLOSING CROSSMEMBER

Data Code	Description
651-004	LH CAB DOOR(S) WITH 70 DEGREE DOOR STOP
682-077	72 INCH RAISED ROOF SLEEPER CAB
784-074	RAISED ROOF AERODYNAMIC SPOILER, BLACK
783-015	24 INCH CAB/SLEEPER CAB SIDE EXTENDERS WITH BLACK FLEXIBLE ENDS AND CHASSIS FAIRING GAP FILLER PANEL
82A-011	UNDER CAB VANITY PANELS
782-026	PAINTED FRAME SIDE FAIRINGS TO BACK OF SIDE EXTENDERS
779-001	LATCHED FRONT LEFT SIDE FAIRING PANEL FOR BATTERY ACCESS
770-002	LOW GROUND CLEARANCE CHASSIS FAIRING SKIRTS
704-037	LH AND RH BAGGAGE DOORS
650-008	AIR CAB MOUNTING
648-002	NONREMOVABLE BUGSCREEN MOUNTED BEHIND GRILLE
695-002	RH SLEEPER DOOR
678-053	INTERIOR GRAB HANDLES WITH ADDED LOWER LH AND RH A PILLAR GRAB HANDLES
646-010	CHROME GRILLE WITH INTEGRAL SURROUND
65X-007	BLACK HOOD MOUNTED AIR INTAKE GRILLE WITH BRIGHT ACCENT
644-001	AERODYNAMIC HOOD
67U-002	HOOD OPENING ASSIST
652-026	NEW CASCADIA NAMEPLATE
727-1AY	SINGLE AIR HORN UNDER LH DECK
726-001	SINGLE ELECTRIC HORN
575-001	REAR LICENSE PLATE MOUNT END OF FRAME
312-075	LED LOW BEAM AND HIGH BEAM HEADLIGHTS
302-072	ROOF MOUNTED LED MARKER LIGHTS
315-070	LED FOG LIGHTS
311-001	DAYTIME RUNNING LIGHTS
294-050	FREIGHTLINER LED STOP/TAIL/TURN/BACKUP LIGHTS BY TRUCK-LITE
300-043	LED SIDE TURN SIGNAL
318-1D7	(2) FLUSH LED UTILITY LIGHTS MOUNTED BACK OF CAB/SLEEPER
596-011	(1) SET 4X4 LOAD LOCK CARRIERS MOUNTED LH BACK OF CAB/SLEEPER



Data Code	Description
744-1E5	DUAL BRIGHT FINISH HEATED AERODYNAMIC MIRRORS WITH INTEGRAL CONVEX AND LH AND RH REMOTE
797-001	DOOR MOUNTED MIRRORS
74A-001	RH DOWN VIEW MIRROR
74B-1B8	RH AND LH HEATED BRIGHT FINISH HOOD/FENDER MOUNTED MIRRORS
729-001	STANDARD SIDE/REAR REFLECTORS
73A-002	REAR REFLECTIVE DEVICE
275-061	PARK BRAKE REMINDER WARNING SYSTEM
776-998	NO SLEEPER VENT
661-016	SOLAR TINTED DOOR GLASS LH AND RH WITH TINTED FORWARD SIDE GLASS
654-011	RH AND LH ELECTRIC POWERED WINDOWS
76Z-007	LH AND RH SOLAR TINTED AND SCREENED CRANK OUT SLEEPER CAP WINDOWS
767-053	LH AND RH TINTED AND SCREENED SLIDING WINDOWS
663-019	1-PIECE ROPED-IN SOLAR GREEN GLASS WINDSHIELD
659-007	8 LITER (2 GAL) WINDSHIELD WASHER RESERVOIR, CAB MOUNTED, WITHOUT FLUID LEVEL INDICATOR

Cab Interior

707-1D6	SADDLE TAN UP LEVEL INTERIOR
70K-023	SADDLE TAN WITH PACIFIC BIRCH WOODGRAIN HARD TRIM
706-034	STANDARD LH DOOR TRIM
708-034	STANDARD RH DOOR TRIM
772-001	BLACK MATS
773-018	BLACK MAT IN SLEEPER AREA
771-001	BLACK MATS IN BAGGAGE COMPARTMENT
785-015	(1) DASH MOUNTED POWER OUTLET, LIGHTER AND ASH TRAY
64D-011	SLEEPER TALL CLOSET WITH WRITING SURFACE AND UPPER STORAGE
64E-011	MICROWAVE SHELF WITH UPPER STORAGE AND FACTORY INSTALLED REFRIGERATOR
691-006	FORWARD ROOF MOUNTED CONSOLE WITH DOORS RH AND LH
693-019	LH AND RH DOOR STORAGE POCKETS INTEGRATED INTO MOLDED DOOR PANELS

Data Code	Description
741-020	STORAGE POCKET(S) MOUNTED INSIDE CABINET DOOR(S)
826-012	40 INCH WIDE LIFTABLE LOWER BUNK
745-001	FOLDABLE UPPER BUNK
666-005	TENT STYLE LOWER BUNK RESTRAINT
738-021	DIGITAL ALARM CLOCK IN DRIVER DISPLAY
680-036	WING DASH WITH E-VAULT
720-011	5 LB. FIRE EXTINGUISHER MOUNTED IN LH BAGGAGE COMPARTMENT
700-014	HEATER, DEFROSTER AND AIR CONDITIONER WITH CONSTANT OUTLET TEMPERATURE CONTROL
701-002	HVAC DUCTING WITH MAIN FRESH AIR FILTER
703-005	MAIN HVAC CONTROLS WITH RECIRCULATION SWITCH
689-093	AUX HVAC IN SLEEPER WITH CONSTANT TEMPERATURE & WEBASTO AIR TOP 2000 AIR HEATER W/SMARTEMP CONTROL TO BATTERY ENABLE W/KEY OFF W/O OR W/PARK BRAKE W/OPT IDLE
170-045	STANDARD HEATER PLUMBING WITH BALL SHUTOFF VALVES AT SUPPLY LINES ONLY
130-041	VALEO HEAVY DUTY A/C REFRIGERANT COMPRESSOR
698-001	RADIATOR MOUNTED AIR CONDITIONER CONDENSER
702-002	BINARY CONTROL, R-134A
739-033	STANDARD INSULATION
285-001	AUTOMATIC SELF-RESET CIRCUIT BREAKERS
280-007	12V NEGATIVE GROUND ELECTRICAL SYSTEM
322-038	DOOR AND BUNK ACTIVATED LH AND RH BUNK MOUNTED LED BAGGAGE COMPARTMENT LIGHTS
324-1B2	PREMIUM LED CAB LIGHTING
325-076	PREMIUM LED SLEEPER LIGHTING
657-001	DOOR LOCKS AND IGNITION SWITCH KEYED THE SAME
78G-004	KEY QUANTITY OF 4
655-005	LH AND RH ELECTRIC DOOR LOCKS
64C-002	BRIGHT DOOR HANDLES
740-004	SPRING LOWER MATTRESS AND FLAT FOAM UPPER MATTRESS
284-1AA	(3) 12 VOLT POWER OUTLETS IN BUNK AREA



Data Code	Description
337-018	AC 120 VOLT CAB WIRING AND AC OUTLET, WITH SHORE POWER AND EATON 1800 WATT PURE SINE WAVE INVERTER/CHARGER SYSTEM
710-001	CAB PRIVACY CURTAIN
719-017	BUILT-IN REFRIGERATOR
722-004	TRIANGULAR REFLECTORS WITHOUT FLARES MOUNTED IN LH BAGGAGE COMPARTMENT
756-1J7	ELITE 2.0 HIGH BACK AIR SUSPENSION DRIVER SEAT W/2 AIR LUMBAR,ACTIVE BOLSTER,INTEGRATED CUSHION EXTENSION, TILT,ADJUSTABLE SHOCK, MAP POCKET, HEAT & VENTILATION
760-1J6	PREMIUM 2.0 HIGH BACK AIR SUSPENSION PASSENGER SEAT WITH 2 AIR LUMBAR, INTEGRATED CUSHION EXTENSION, TILT AND ADJUSTABLE SHOCK
757-002	BLACK SUSPENSION COVER FOR DRIVER AND PASSENGER SEATS
759-005	DUAL DRIVER AND PASSENGER SEAT ARMRESTS
758-121	BLACK LAREDO LEATHER DRIVER SEAT COVER
761-121	BLACK LAREDO LEATHER PASSENGER SEAT COVER
763-1AA	3 POINT ADJUSTABLE D-RING RETRACTOR DRIVER AND FIXED D-RING RETRACTOR PASSENGER SEAT BELTS
709-006	SLEEPER CURTAIN
532-002	ADJUSTABLE TILT AND TELESCOPING STEERING COLUMN
540-070	4-SPOKE 18 INCH (450MM) LEATHER WRAPPED STEERING WHEEL WITH CHROME SWITCH BEZELS
765-007	DRIVER AND PASSENGER INTERIOR SUN VISORS WITH VANITY MIRRORS

Instruments & Controls

106-004	ELECTRONIC ACCELERATOR CONTROL WITH KICK DOWN FEATURE
734-018	STANDARD CENTER INSTRUMENT PANEL
870-001	BLACK GAUGE BEZELS
486-001	LOW AIR PRESSURE INDICATOR LIGHT AND AUDIBLE ALARM
838-001	(1) SINGLE BRAKE APPLICATION AIR GAUGE
840-001	DUAL NEEDLE PRIMARY AND SECONDARY AIR PRESSURE GAUGE

Data Code	Description
198-002	INTAKE MOUNTED AIR RESTRICTION INDICATOR WITH GRADUATIONS
149-045	ELECTRONIC CRUISE CONTROL WITH INTELLIGENT POWERTRAIN MANAGEMENT AND CONTROLS ON STEERING WHEEL SPOKES
156-016	KEY OPERATED IGNITION SWITCH AND INTEGRAL START POSITION AND DDC OPTIMIZED IDLE SYSTEM
811-044	PREMIUM INSTRUMENT CLUSTER WITH 5.0 INCH TFT COLOR DISPLAY
81B-003	DIGITAL PANEL LAMP DIMMER SWITCH IN DRIVER DISPLAY
160-038	HEAVY DUTY ONBOARD DIAGNOSTICS INTERFACE CONNECTOR LOCATED BELOW LH DASH
844-001	2 INCH ELECTRIC FUEL GAUGE
845-011	FUEL FILTER RESTRICTION INDICATOR
148-085	EMISSIONS LIMITED IDLE ADJUST
866-019	DIGITAL DUAL REAR AXLE TEMPERATURE IN DRIVER DISPLAY WITH SENSOR SHIELDS
856-001	ELECTRICAL ENGINE COOLANT TEMPERATURE GAUGE
854-008	DIGITAL ENGINE OIL TEMPERATURE IN DRIVER DISPLAY
864-022	DIGITAL TRANSMISSION OIL TEMPERATURE IN DRIVER DISPLAY
830-031	ENGINE, TRIP AND PTO HOUR METERS INTEGRAL WITHIN DRIVER DISPLAY
736-998	NO OBSTACLE DETECTION SYSTEM
73K-998	NO SIDE OBJECT DETECTION SYSTEM
49B-004	ELECTRONIC STABILITY CONTROL
14L-001	DETROIT SERVICE BRAKE HOLD FUNCTION
73B-998	NO LANE DEPARTURE WARNING SYSTEM
852-002	ELECTRIC ENGINE OIL PRESSURE GAUGE
786-008	POSITIONING AND GUIDANCE SYSTEM ANTENNA BRACKET OR INTEGRAL SHELF FOR CUSTOMER INSTALLED OUTDOOR ANTENNA UNIT
746-135	AM/FM/WB WORLD TUNER RADIO WITH SIRIUSXM, BLUETOOTH, IPOD INTERFACE, USB AND AUXILIARY INPUTS, J1939
747-001	DASH MOUNTED RADIO
750-041	STANDARD SPEAKER SYSTEM



Data Code	Description
748-006	POWER AND GROUND WIRING PROVISION OVERHEAD
749-001	ROOF/OVERHEAD CONSOLE CB RADIO PROVISION
752-050	INTEGRATED AERO-ROOF CB ANTENNA
75W-001	HEADLINER MULTI-BAND ANTENNA: AM/FM/WEATHERBAND, WIFI/BLUETOOTH, GNSS/GPS
78C-003	INTEROPERABLE SDAR ANTENNA
737-012	FLAT SCREEN TV MOUNT WITH TV ANTENNA
810-027	ELECTRONIC MPH SPEEDOMETER WITH SECONDARY KPH SCALE, WITHOUT ODOMETER
817-001	STANDARD VEHICLE SPEED SENSOR
812-032	ELECTRONIC 2500 RPM TACHOMETER
813-1C8	DETROIT CONNECT PLATFORM HARDWARE
8D1-205	5 YEARS DETROIT CONNECT BASE PACKAGE (FEATURES VARY BY MODEL) DETROIT CONNECT PLATFORM
6TS-012	(3) TMC RP 1226 ACCESSORY CONNECTORS: (2) LOCATED BEHIND PASSENGER SIDE REMOVABLE DASH PANEL, AND (1) LOCATED CENTER OF OVERHEAD CONSOLE
162-031	IDLE SHUTDOWN OVERRIDE, DDEC 5/6 AMBIENT AIR TEMPERATURE SENSOR AND IDLE ADJUST
81Y-005	PRE-TRIP INSPECTION FEATURE FOR EXTERIOR LAMPS ONLY
264-033	STEERING WHEEL MOUNTED ELECTRIC HORN CONTROL
482-001	BW TRACTOR PROTECTION VALVE
883-001	TRAILER HAND CONTROL BRAKE VALVE
842-006	DIGITAL TURBO AIR PRESSURE IN DRIVER DISPLAY
836-015	DIGITAL VOLTAGE DISPLAY INTEGRAL WITH DRIVER DISPLAY
660-008	SINGLE ELECTRIC WINDSHIELD WIPER MOTOR WITH DELAY
304-030	ROTARY HEADLAMP SWITCH, MARKER LIGHTS/HEADLIGHTS SWITCH WITH PULL OUT FOR OPTIONAL FOG/ROAD LAMPS
882-021	TWO VALVE PARKING BRAKE SYSTEM WITH DASH VALVE CONTROL AUTONEUTRAL AND WARNING INDICATOR



Data Code	Description
299-020	SELF CANCELING TURN SIGNAL SWITCH WITH DIMMER, HEADLAMP FLASH, WASH/WIPE/INTERMITTENT
298-046	INTEGRAL ELECTRONIC TURN SIGNAL FLASHER WITH 40 AMP (20 AMP PER SIDE) TRAILER LAMP CAPACITY

Design

065-000	PAINT: ONE SOLID COLOR
---------	------------------------

Color

980-5F6	CAB COLOR A: L0006EY WHITE ELITE EY
986-020	BLACK, HIGH SOLIDS POLYURETHANE CHASSIS PAINT
987-995	CHASSIS SIDE FAIRINGS PAINTED SAME AS LOWER CAB SECTION OR FENDER
964-995	BUMPER PAINTED SAME AS FENDERS/LOWER SECTION OF CAB

Certification / Compliance

996-001	U.S. FMVSS CERTIFICATION, EXCEPT SALES CABS AND GLIDER KITS
---------	---

Extended Warranty

WAI-67H	EW4: DD15 CARB22 HWY 6 YEARS/600,000 MILES/966,000 KM. EXTENDED ENGINE COVERAGE. FEX APPLIES
---------	--

Dealer Installed Options

		Weight Front	Weight Rear
MATS	(2) FLOOR MATS	0	0
Total Dealer Installed Options		0 lbs	0 lbs

(***) All cost increases for major components (Engines, Transmissions, Axles, Front and Rear Tires) and government mandated requirements, tariffs, and raw material surcharges will be passed through and added to factory invoices.

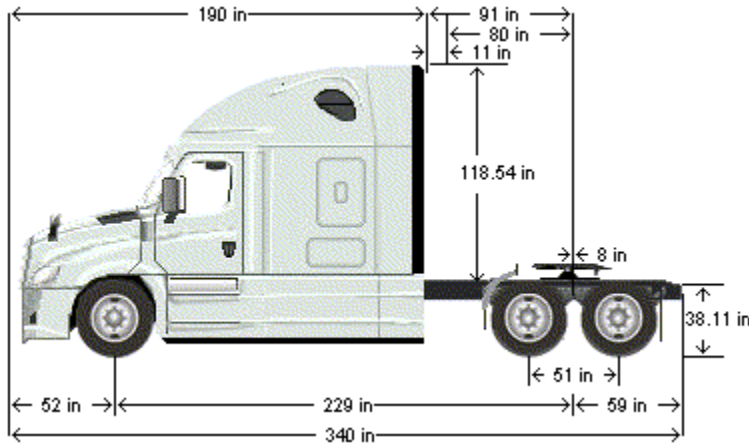


Prepared for:
CHRIS VERNON
HAULIN ASSETS LLC
SALT LAKE CITY, UT 84120

Prepared by:
FREIGHTLINER OF UTAH



D I M E N S I O N S



VEHICLE SPECIFICATIONS SUMMARY - DIMENSIONS

Model	126 SLEEPER CAB
Wheelbase (545)	5825MM (229 INCH) WHEELBASE
Rear Frame Overhang (552)	1500MM (59 INCH) REAR FRAME OVERHANG
Fifth Wheel (578)	FONTAINE NO-SLACK II 6000 SERIES 6LWB 24.0 INCH AIR SLIDE FIFTH WHEEL - 2 INCH SLIDE INCREMENTS
Mounting Location (577)	FIFTH WHEEL 508MM (20.0 INCHES) AHEAD OF SUSPENSION CENTERLINE
Maximum Forward Position (in)	20
Maximum Rearward Position (in)	-4
Amount of Slide Travel (in)	24
Slide Increment (in)	2
Desired Slide Position (in)	8.0
Cab Size (829)	126 INCH BBC ALUMINUM CONVENTIONAL CAB
Sleeper (682)	72 INCH RAISED ROOF SLEEPER CAB
Exhaust System (016)	RH OUTBOARD UNDER STEP MOUNTED HORIZONTAL AFTERTREATMENT SYSTEM ASSEMBLY WITH RH HORIZONTAL TAILPIPE

TABLE SUMMARY - DIMENSIONS

Dimensions	Inches
Bumper to Back of Cab (BBC)	189.8
Bumper to Centerline of Front Axle (BA)	51.8
Front Axle to Back of Cab (AC)	138.0
Back of Cab to Centerline of Rear Axle(s) (CA)	91.3
Effective Back of Cab to Centerline of Rear Axle(s) (Effective CA)	80.4
Back of Cab Protrusions (Exhaust/Intake) (CP)	2.0
Back of Cab Protrusions (Side Extenders/Trim Tab) (CP)	0.0
Back of Cab Protrusions (CNG Tank)	0.0
Back of Cab Clearance (CL)	11.0
Back of Cab to End of Frame	150.4
Cab Height (CH)	118.5
Fifth Wheel to Centerline of Rear Axle(s) (FW)	8.0
Wheelbase (WB)	229.3
Frame Overhang (OH)	59.1
Overall Frame Length	320.9
Overall Length (OAL)	340.2
Rear Axle Spacing	51.0
Unladen Frame Height at Centerline of Rear Axle	38.1

Performance calculations are estimates only. If performance calculations are critical, please contact Customer Application Engineering.